



# G815D

residential gate opener for **swing gates**

Instructions for installation & use



**Toll free helpline**

Please have your serial number and model name available before calling.

Australia 1800 638 234

New Zealand 0800 653 667

United Kingdom 0800 073 0112

[www.merlingo.com](http://www.merlingo.com)

# Important safety instructions for installation



**WARNING** Incorrect installation can lead to severe injury. Follow all installation instructions. Merlin Garage Openers Limited does not accept responsibility for damage or injury resulting from installing this opener.

## **Prepare the gate for safe automation**

Before installing the drive remove or disable any equipment, such as locks, that is not needed for powered operation.

Check that the gate is in good mechanical condition and that it opens and closes properly. Do not use force sensitivity adjustments to compensate for a binding or sticking gate. Excessive force may damage the gate.

## **Avoid possible entrapment points**

Ensure that entrapment between the driven part and the surrounding fixed parts due to the movement of the driven part is avoided.

Gaps are considered safe as follows (IEC60335-2-103): finger gaps above 25 mm; foot gaps above 50 mm; head gaps above 300 mm; and whole body gaps above 500 mm.

## **Add over-ride switch if wicket gate is present**

If a wicket gate is present in one of the gate leaves, it must be fitted with a switch that prevents the drive from operating when the wicket is open. (Connect a Normally Closed switch to the STP and GND terminals of the controller board.)

## **Locate controls carefully**

Install any fixed control, wired or wireless, within sight of the gate but away from moving parts and at a height of more than 1.5 m.

## **Fit non-contact safety beams**

Where they are not already explicitly required to comply with regulations, Merlin strongly recommends fitting non-contact safety beam sensors.

## **Locate the entrapment warning sign correctly**

After installing the gates, the included entrapment warning sign must be fitted within sight of anyone that may stand in the path of the moving gate.

## **Inspect and test the installation**

After installation, ensure that the mechanism is properly adjusted and that the protection system and manual release function correctly.

## **Educate the owner**

Before passing controls to the owner, alert them to the potential dangers, and routine checks they're required to perform.

## **Complete the commissioning check sheet**

The commissioning check sheet at the end of this manual must be completed, signed by the installer and client, and kept on record by the installing company. It contains a declaration that all safety related procedures have been complied with.

# Important safety instructions for use



**WARNING** It is important for the safety of persons to follow all the instructions for use. Save these instructions.

## **Controls are not a toy**

Do not allow children to play with fixed or remote controls.

## **Check the gate and drive for wear**

Frequently examine the installation for imbalance and signs of wear or damage.

Check that the manual release functions correctly.

Do not use if repair or adjustment is necessary.

## **Test the safety system every month**

Every month, test that the gates stop or reverse in response to an obstruction, and that interrupting the beam of and photo-electric safety beam also causes the gate to stop or reverse..

Do not use if repair or adjustment is necessary.

## **Disconnect power before maintenance**

Always disconnect the power supply from the drive before cleaning or maintaining the gate or drive. The drive or gate may operate unexpectedly due to other users with remote controls, or due to automatic closing (if enabled).

## **Become familiar with the controls and manual release before use**

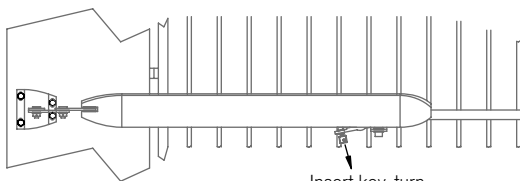
Before using the gate and drive, locate the manual release and become familiar with its operation. Note where the key is located, in the case of a power cut or any failure of the drive or gate.

# Contents

Manually opening the gate	4	Easy setup	16
Maintenance	4	Controls	17
Learning wireless controls	5	Professional setup	21
Deleting all wireless controls	5	Testing the gate operation	22
Deleting selected wireless controls	5	Troubleshooting	23
Site requirements	6	Specifications	24
Installation	9	Warranty	25
Board setup	12	Service Centres	26
Make all connections	12	Quick setup guide	27
Set the application mode	15	Commissioning check sheet	28
Learn a remote control	15		

# Manually opening the gate

You can release the gate from the opener. Insert the key into the lock on the underside of the opener. Turn the key and pull the lever down. The gate will be released from the drive. To reconnect the gate to the drive, it may be necessary to move the gate back to the same position as where it was before unlocking.



Insert key, turn and pull the lever down to release the drive.

## Maintenance

In an area where ant or insect infestation is likely, regularly spray around the opener and any electrical installation with insecticide. In normal conditions it is not expected that any additional lubrication or service is required. Keep the path of the gate free from debris and foliage.

The gate and its moving parts may sustain damage or wear, presenting additional load to the opener. Frequently examine the installation for signs of wear or damage. Do not use if repair or adjustment is needed as the gate may cause injury.

Each month check the sensitivity of your gate while it is closing and opening. Arrange for an Authorised Installer to adjust if necessary since an incorrect adjustment may be hazardous.

Each month check that any non-contact beam sensors function correctly by obstructing them while the gate is moving. The gate should stop, or reverse. Ensure the beams are clear of any obstructions or dirt and ensure they are aligned towards each other.

# Learning wireless controls

1. Press P2/RADIO until the red LED is lit.
2. If the wireless remote controls are required to only operate Pedestrian Access mode, install the CH-RADIO jumper over its pins. If the wireless remote controls are for full access, remove the CH-RADIO jumper.
3. Press the desired button for 3 seconds once on each wireless control that is required to operate the gate.

**NOTE** The red LED will blink during learning. The controller is ready for another wireless control when the red LED is steadily lit.

4. Press P2/RADIO to exit learning mode.

**NOTE** The learning procedure will time out after 10 seconds of no activity.

# Deleting all wireless controls

1. Press and hold the P2/RADIO button until the red LED blinks rapidly.
2. Release the P2/RADIO button.
3. Within 6 seconds, press the P2/RADIO button again to confirm.

Deletion is indicated by the red LED blinking faster.

# Deleting selected wireless controls

The optional accessory GT/SYSTEM hand-held controller is required. Contact Merlin for details.

# Site requirements

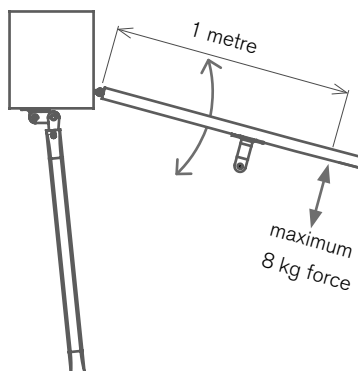
Check that the temperature range marked on the drive is suitable for the location. Do not install the drive where ambient temperatures will exceed the ratings.

## Gate

This opener is designed for residential swing gates up to 2 metres wide and less than 140 kg.

Using a spring balance at a point approximately 1 metre from the hinge, check that less than 8 kg force (80 N) is required to manually move the gate through its full range of movement, with the gate disconnected from the drive.

The gate should operate smoothly, opening and closing without sticking. Hinges should not have excessive play or friction. Check the mounting points and hinges for strength and stiffness. Reinforce if necessary.



### Gate posts

There should not be any visible flexing of the mounting points under load.

### Level and square the gate

The gate hinge pivot points should be perfectly parallel to a plumb line. When closed, the gate leaves should line up evenly and not bind against each other. The leaves should not be damaged or bent.

### Gate stops

It is recommended that any of the following are used:

- Overlapping gate leaves
- A tag on one gate
- Gate-stops at the limit of each leaf's travel

## Power supply

### Mains powered

If the opener is to be mains-powered, then the 3-pin power plug should be shielded from the effects of weather. The product is tested as a unit for electrical safety compliance and if the plug is cut off for hard-wiring, then the electrical safety of the unit becomes the responsibility of the installing electrician. An isolating switch is recommended, but all mains wiring should be in accordance with local regulations.

### Solar Powered

Contact Merlin for the correct battery and solar panel. The size of these depends on: the duty cycle of the gates; the hours of sunlight; and the number and type of accessories fitted.

### **Battery powered with trickle charging**

Due to the high cost of long runs of heavy cable, it may be more economic in some installations to operate the gates from a larger battery, which is charged from a remotely located trickle charger.

For example, a 16V ac 500 mA plug pack can be located at the house, with appropriate wiring to the gate, controller, and battery some distance away. Due to varying gate loads and duty cycles for each installation, this is a guide only.

## **Wiring**

All wiring must be arranged to prevent water entering the controller enclosure. Do not wire mains voltages and low voltage control wires in the same conduit.

### **Low voltage cable sizes**

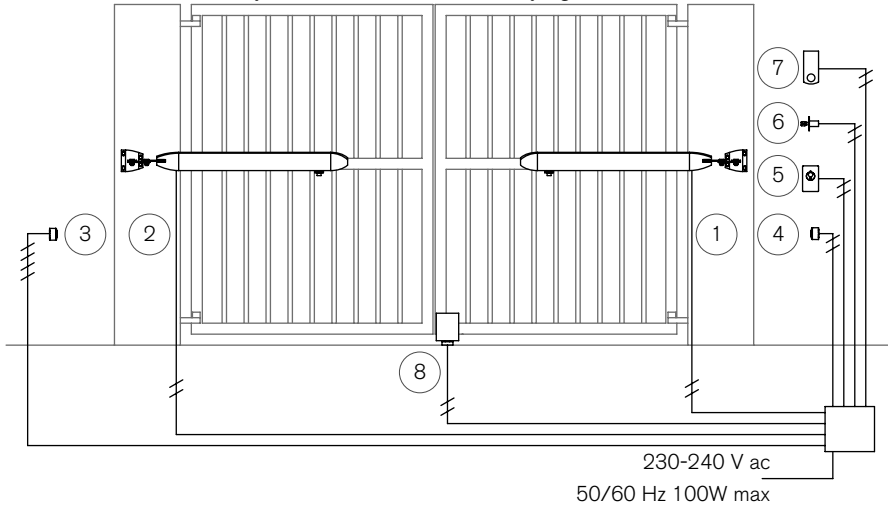
Voltage will drop along low voltage cables over long distances. It is recommended to use cable with conductors of the following minimum cross sectional areas. The table lists lengths for twin-core cable, from the supply to the load.

For an optional solar panel, consider the total length from the panel to the controller board, through to the battery. Follow the table for minimum recommended conductor sizes for given lengths for each power option.

Cable length	From separate transformer/ solar panel to 12 V battery (for max 2% volt drop)	From controller to each motor 12 V @ 4 A max (for max 5% volt drop)
3 m	1.0 mm <sup>2</sup>	1.5 mm <sup>2</sup>
5 m	1.0 mm <sup>2</sup>	2.5 mm <sup>2</sup>
10 m	1.0 mm <sup>2</sup>	4.0 mm <sup>2</sup>
15 m	1.0 mm <sup>2</sup>	6.0 mm <sup>2</sup>
20 m	1.0 mm <sup>2</sup>	10 mm <sup>2</sup>
25 m	1.5 mm <sup>2</sup>	10 mm <sup>2</sup>
30 m	1,5 mm <sup>2</sup>	16 mm <sup>2</sup>

# Master and slave operators

The Master operator has the controller board, transformer and optional back-up battery inside it. Locate it on the side of the gate nearer to the power supply. The Slave operator connects to the master by a two-core conductor carrying 12V.



- 1 Right hand opener (shown as master, but depends on site)
- 2 Left hand opener (shown as slave, but depends on site)
- 3 Receiving IR sensor (4-wire)
- 4 Transmitting IR sensor (2-wire)
- 5 Push-button (must be rated suitably for the weather conditions)
- 6 Keyed switch (must be rated suitably for the weather conditions)
- 7 Keypad (Merlin M840, wireless, optionally with wired power supply)
- 8 Solenoid lock or latch (avail. for horizontal or vertical applications)

**NOTE** The Merlin M122 wired and M128 wireless pushbuttons are not waterproof, and are only rated for interior use. The Merlin KWF1 keyed switch is not intended for use fully exposed to weather in gate installations. Merlin does not warranty any items used outside their published ratings or intended use. It is also possible to locate the controller in an enclosure and use two slave units. Contact Merlin for details.



# Installation

## Mounting brackets to the gate posts

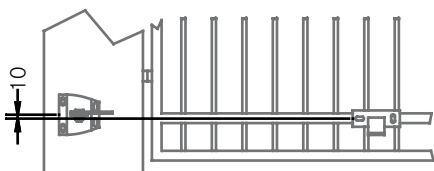
There should not be any visible flexing of the mounting points under load.

To spread the load, all mounting holes should be used.

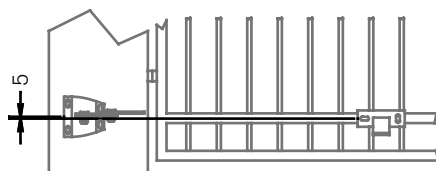
Use fasteners of at least 8 mm diameter x 75 mm length.

### Height

Mount the centre line of the bracket either 10 or 5 mm higher than the centre line of the gate bracket, depending on whether two or three pieces of post bracket are used. This is to maintain a level actuator.



Using two piece post bracket



Using three piece post bracket

If the conditions are very dusty, for example around an unsealed driveway, do not mount the actuators lower than 400 mm above the ground. This is to reduce the likelihood of dust entering the screw mechanism.

### Position relative to gate pivot

Refer to the diagram below for the typical co-ordinates of A and B.

Some guidelines for an easy installation are:

A + B < 340 for up to 90 degrees opening

A + B < 320 for up to 100 degrees opening

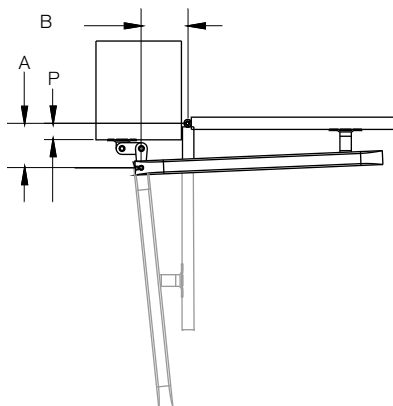
A + B < 310 for up to 110 degrees opening

Increase A for a slower but firmer stop open

Increase B for a slower but firmer stop closed

Optimum dimensions are:

opening angle	A	B	P(max)
90°	190	150	160
100°	160	160	130
110°	130	180	100



### Gate pivot offset from mounting face

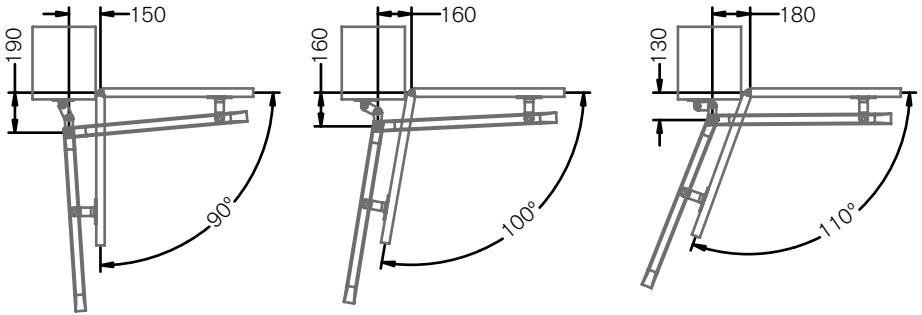
The dimension P on the diagram must be:

less than 160 mm for 90 degrees of opening angle;

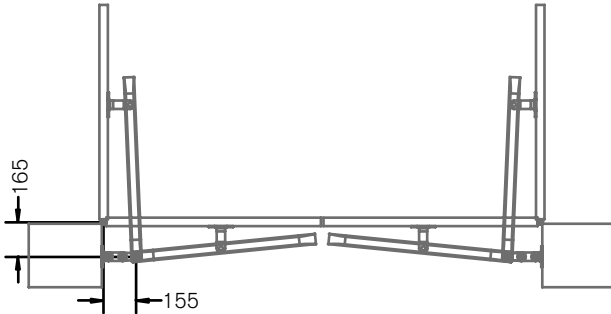
less than 130 mm for 100 degrees; and

less than 100 mm for 110 degrees.

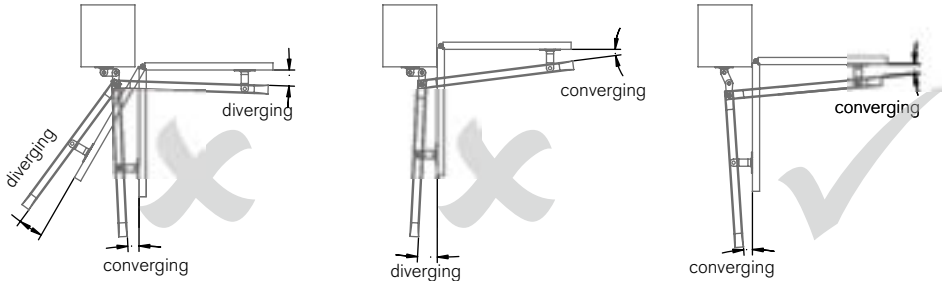
**Typical installations: in-swinging gates**



**Typical installation: out-swinging gate**



**IMPORTANT** For all installations the angle between the drive arm and the gate should always be convergent. If at any position the arm and gate are divergent, there will be excessive stress placed on the gate components.



**WRONG!**

arm and gate converge at one position, but diverge at others so installation angles are not acceptable

**WRONG!**

arm and gate converge at one position, but diverge at another, so installation angles are not acceptable

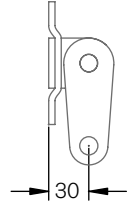
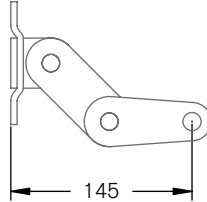
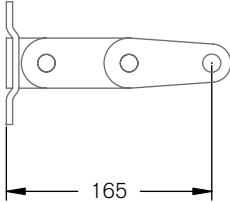
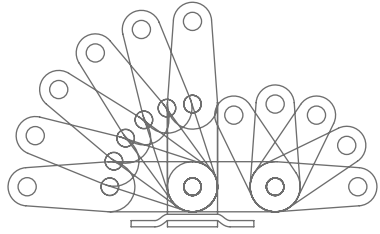
**RIGHT**

arm and gate converging at all positions so installation angles are acceptable

## Post bracket

The Dimension S on the diagram can be constructed by assembling the post bracket using either two or three pieces. Up to 165 mm is possible.

If three pieces are used, after bolting the bracket assembly together, drill a 4-mm clearance hole into the post bracket. Use the pilot hole in the extension bracket as a guide. Insert a 4-mm roll pin to lock the two segments securely.



## Mounting the actuator to the brackets

Use the spacer washers, 10-mm bolt, and pin provided.

## Setting the limit stops

Unlock the manual release and move the gate through the full range of travel.

Using a 6-mm Allen key, loosen and adjust the limit stop blocks inside the actuator, to set the limits of travel. Retighten the limit stops securely. Only a small amount of adjustment should be necessary if the mounting brackets are located correctly.

The drive sets the limits of travel by sensing the force exerted on these stops, so they must be located securely.

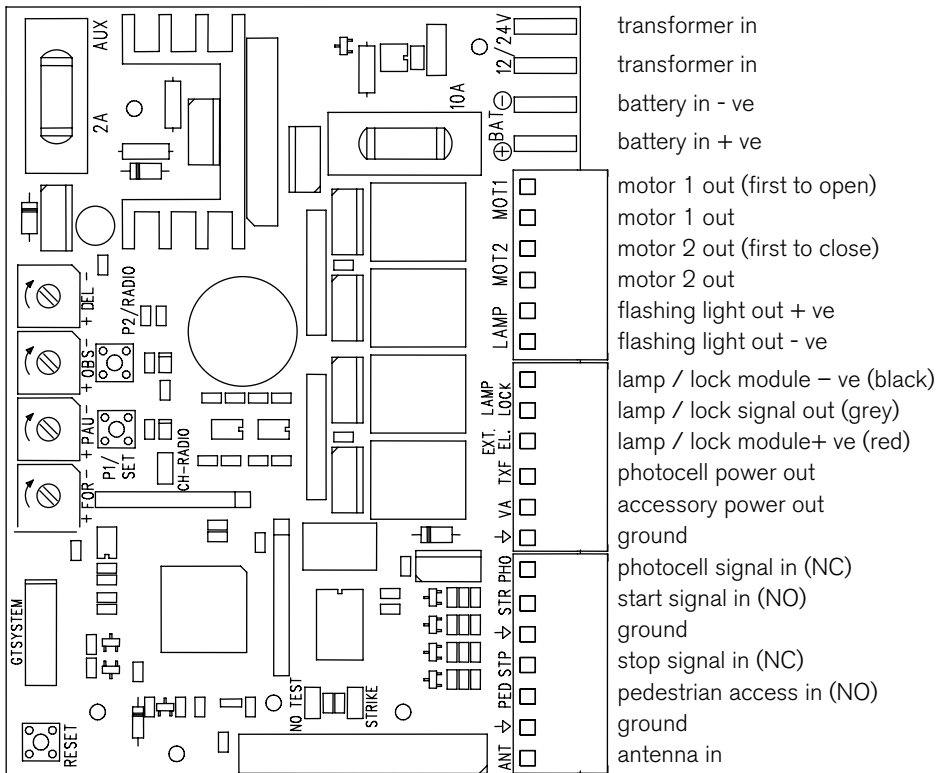
# Board setup

It is strongly recommended to follow the procedures in the order below:

1. Make all Connections
2. Set the application mode
3. Learn a remote control
4. Set motor limit cams
5. Run Easy Setup
6. Adjust Controls
7. Run Professional or Easy Setup again
8. Learn wireless remote controls

## Make all connections

**NOTE** When powering any accessories from the board, (for example: gate latches, additional receivers, keypads, PE beams) ensure the total combined load on the VA and TXF terminals does not exceed 150 mA. If necessary, remove accessories or provide additional power supplies directly to each accessory.



## transformer input

Can accept 12 or 24 V ac, max 100 VA, max 10 A.

**NOTE** The transformer must have sufficient capacity to maintain motor voltage above 10 V (or above 20V for 24V systems).

## battery input

A 12V 1.2 Ah sealed back-up battery is recommended, and should result in sufficient capacity for at least five full operations in the first 24 hours of any mains supply failure.

## motor 1 (MOT1) and motor 2 (MOT2) outputs

Motor 1 is the one which opens first; motor 2 is the one which closes first. Often Motor 1 is on the left hand side when looking out the driveway. The delay between motor 1 and motor 2 operation is set by the trimmer marked – DEL +. If the motor direction is reversed, swap the polarity of the connection wires.

## flashing warning lamp output (LAMP)

The outputs are set up for a 2 W flashing lamp, at either 12 or 24 V dc, depending on the board's supply voltage. The board supplies power to the lamp, but it is a continuous supply, so the lamp must have a flashing circuit built in. The output supplies power to the lamp from 1 second prior to opening, until fully open; and from two seconds prior to closing, until fully closed. If the board is running only from battery backup, then the lamp will only flash for the first four seconds of operation.

## courtesy lamp (EXT. LAMP) / electric lock (EL. LOCK) module output

To connect an electric lock or a courtesy lamp, it is necessary to fit an optional expansion module. Only one module can be fitted. This must be connected with the three wires arranged as red-grey-black from left to right.

The ELU Electric Lock Unit module can accept a lock rated at up to 12V 15W. When a lock is fitted, it is recommended to fit the STRIKE jumper over both its pins. This enables a short delay before opening, to allow the lock to release before the gate leaf moves. The LCU Lamp Control Unit module can accept a lamp rated at up to 12V 15W.

## tx photocell power out (TXF), photocell signal in (PHO)

Photocells should have NC (normally closed) contacts when there is no obstruction. Fit a jumper wire between the signal input terminal and ground if no photocells are fitted. The maximum total accessory power load allowed is 150 mA. The combined consumption on the TXF and VA terminals must not exceed this limit. Photocells are part of this total load.

**NOTE 1** If the TEST jumper is fitted, the unit performs a function test on the photocells before each operation. This adds a 200ms delay before every operation. The transmitting photocell must be powered from the TXF output. Photocells must have NO (normally open) contacts when the power is off.

**NOTE 2** If the PAU trimmer is set to fully anticlockwise and the photocell beam has been

interrupted, then the gates will close 1 second after the beam is cleared.

**NOTE 3** The default behaviour of the gates is to react immediately when the beam is interrupted. Professional Setup Step 12 allows this to be changed. Gates can be made to stop in response to an obstruction, and then only react after the obstruction is removed.

## accessory power output (VA)

The maximum total accessory power load allowed is 150 mA. Accessories in excess of this limit must be powered directly from the battery.

**NOTE** The transmitting photocell must be powered from the TXF output if the TEST jumper is fitted.

## start signal input (STR)

This input is NO (Normally Open). When it is momentarily closed to ground the opener will start. If the gate is already moving then momentarily closing the start input to ground will stop the movement.

Connect a keyed switch or exit request button to this input. While this input is closed to ground, any auto-closing function is disabled. This input can be connected to a timer to force the gates open during certain periods of time.

## stop signal input (STP)

The Stop input is NC (Normally Closed). Fit a jumper if no switch is used. When this terminal is not connected to ground, the gate will not operate – it will not open or close until the terminal is reconnected to ground, and it will only restart once a command is sent through the Start input, or through a learned wireless remote control. If the gate is moving when this terminal is momentarily disconnected from ground then the gate will stop moving until the connection is re-established, and then only when another Start command is received.

## pedestrian access signal input (PED)

This NO (Normally Open) input can connect to safety devices such as pressure edges, or to a switch that enables one wing to open. Activating a safety device will prevent movement from fully open or fully closed, and will cause movement to reverse while opening. Safety devices connected to PED have no effect during closing. A switch connected to the PED terminal will cause only the M1 leaf to open. The factory default setting opens the M1 leaf for 5 seconds, and this can be over-ridden using the Professional Setup routine. The leaf will close automatically if auto-close is enabled; otherwise another manual command is required. Normal opening and closing commands take priority over Pedestrian Access commands. It is also possible to activate Pedestrian Access using a wireless remote control that has been learned while the CH-RADIO jumper is fitted.

## antenna input (ANT)

The centre wire of a 50-ohm co-axial cable should connect to this terminal. An antenna of 175mm is recommended. Connect the outer braid of the co-axial cable to the ground terminal. A ground plane greatly improves an antenna's performance. It should connect to the end of the co-axial cable's braided screen. An alternative is to mount the antenna through a metal plate that is at least as large as the ground plane's length.

# Set the application mode

**WARNING** Follow these steps. This setting is an integral part of the safety system. The controller must be set differently for each motor type and load. Application mode sets the maximum allowable motor current. In combination with the FOR setting (motor voltage), and OBS setting (time before reversing from an obstruction), a safe threshold for the energy applied to an obstruction is set.

Press RESET and observe the red LED. There must be two flashes.

- One flash for Merlin G815D linear actuators
- Two flashes for Merlin G915D/G950 harmonic arm actuators

If there are not two flashes, the application mode must be changed:

1. Press P2/RADIO until the red LED is lit
2. Press P1/SET and observe the number of flashes of the yellow LED. 1 flash for linear actuators; 2 flashes for harmonic actuators
3. Press P1/SET again until two flashes of the yellow LED occurs
4. Press P2/RADIO to exit programming

## Learn a remote control

A remote control is useful for operating the controller during setup.

Press and hold P2/RADIO until the red LED is lit. Press the main button on the remote control. Wait 10 seconds to exit learning mode.

Install the CH-RADIO jumper. Press and hold P2/RADIO until the red LED is lit. Press the second button on the remote control. Wait 10 seconds to exit learning mode. Remove the CH-RADIO jumper.

Now the main remote button will act as P1, and the second button act as P2.

# Easy setup

Easy setup must be performed to set the opening and closing travel times.

**NOTE** Easy setup only sets the limits and force/speed, and is fully automated; professional setup also offers slow-stopping and pedestrian access, but is not fully automated. It is an automated procedure that sets the gate leaf travel times based on the detection of the limits of travel. Gate stops or limit switches must be used. Gate stops must be positioned such that the gates rest firmly against them at each limit of travel.

**CAUTION** During this procedure the gates must be attended. Movement can be stopped at any point by pressing the RESET button. The gates must be in the midway position before starting this procedure.

To initiate the procedure, press RESET, press P1/SET for 1 second while the yellow LED is flashing. The following steps are performed automatically:

1. Detects whether one motor or two is fitted
2. Sets pedestrian opening on M1 leaf to half way
3. Checks for presence of photocells (or a jumper) on PHO terminal; e-stop (or a jumper) on STP terminal
4. Begins to open the M1 leaf.

**NOTE** If the M2 leaf moves first, or if the leaf begins to close first, press RESET to stop the movement and then reverse the motor wiring accordingly. Start this setup procedure again.

5. Begins to open M2 leaf 1 second after the M1 leaf.
6. After 3 seconds of opening, gates stop moving.
7. Closes the M2 leaf fully, closes the M1 leaf fully, stopping hard against the closed stops (if fitted) or stopping using a limit switch.
8. Opens the M1 and M2 leaves fully, stopping hard against the open-stops (if fitted) or stopping using a limit switch.
9. Pauses 3 seconds at fully open.
10. Closes fully, slowing down to around 1/3 speed, after 90% of the travel time.

In summary the procedure is: open 3 seconds, close fully, open fully, wait 3 seconds, close fully.



# Controls

**IMPORTANT** If the force/speed/voltage setting (+FOR-) is adjusted then it is necessary to perform either Easy Setup or Professional Setup again because the travel times will vary. Failure to do this risks causing damage to the gates or gate stops. After every trimmer adjustment press RESET to confirm the change. Wait for the LED to stop flashing.

easy setup button (P1/SET)  
(Press after any trimmer adjustment)

professional setup /  
learn wireless control button  
(P2/RADIO)

learn wireless pedestrian access  
jumper (CH-RADIO)

motor leaf delay 3 to 30 sec  
(+ DEL -) (cw max time)

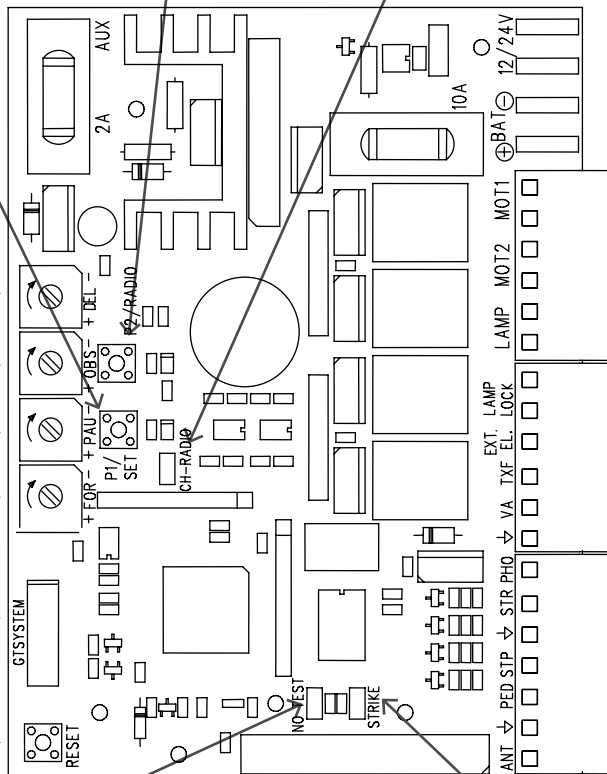
obstruction sensing delay  
0.1 to 2.5 sec  
(+ OBS -) (cw max time)

auto close pause 3 to 60 sec  
(+ PAU -) (cw OFF)

force/speed/voltage 50 to 100%  
(+ FOR -) (cw max voltage)

GT/SYSTEM handheld  
programmer connection

reset button (RESET)  
(press after adjusting  
any trimmer)



enable testing of safety devices  
jumper (TEST)

enable lock strike delay  
jumper (STRIKE)

## reset button (RESET)

Pressing RESET has the same effect as interrupting the power supply. It will stop the movement of the gates. The yellow LED will flash for five seconds and then the board will be ready to operate. No memory settings are altered when RESET is pressed. No learned wireless transmitters are removed from memory.

## easy setup button (P1/SET)

Press within 5 seconds of pressing RESET, or applying power to the board, or while the yellow LED is flashing, to enter the Easy Setup routine. Also used in conjunction with P2/RADIO to set the Application Mode, that is how much maximum motor current is allowed.

## learn wireless control button (P2/RADIO)

Press and hold P2/RADIO, until the red LED is lit, to begin learning wireless remote controls. The red LED will be lit. Press a button for 3 seconds on each wireless control to be learned. Either wait 10 seconds, or press P2/RADIO again to exit learning. If the CH-RADIO jumper is fitted, the wireless controls will operate the pedestrian Access mode; if it is removed then they will operate the gates normally.

To enter the Professional Setup routine press P2/RADIO within 5 seconds of pressing RESET, or applying power to the board, or while the yellow LED is flashing.

## learn wireless pedestrian access jumper (CH-RADIO)

Place this jumper over the pins when you want to learn wireless remotes for Pedestrian Access mode.

## force/speed/voltage setting trimmer (+ FOR -)

**NOTE** Press RESET after adjusting the trimmer.

The energy transferred to an obstruction is determined by the motor power, and the time that the power is applied to the obstruction. Motor power is determined by the maximum voltage and maximum current. This FOR setting alters the motor voltage. The Application Mode (page 7) alters the maximum allowable motor current. The OBS setting alters the time that power is applied to an obstruction. So safety is determined by a combination of the settings for FOR, OBS, and Application Mode.

Turn FOR clockwise to increase the voltage that is applied to the motors.

- Full clockwise: maximum voltage (less sensitive)
- Full anti-clockwise: minimum voltage, approximately 50% of the maximum (more sensitive)

**NOTE** Voltage affects the speed of the motor. After any adjustment to FOR, either the Easy Setup or the Professional Setup procedure must be completed to set the operating time correctly.

## auto-close pause setting trimmer (+ PAU -)

**WARNING** Photocell sensor beams must be fitted when using auto-close.

This trimmer determines the length of time that the gates pause before auto-closing.

- Full clockwise: auto-closing is disabled (that is, there is an unlimited pause when open)
  - Full anti-clockwise: pause open for 15 seconds, then auto-close (unless a photocell is fitted)
  - Other positions: adjust for pause times of between 3 seconds and 60 seconds
- In auto-closing mode, any command to open or close will cause the following behaviour:
- while opening, commands are ignored;

- while closing, commands will cause the gate to start to open;
- while paused open, commands will not close or open, but will restart the pause timer

**NOTE** If a photocell is connected to the PHO terminal then the response to interruptions of the beam will vary depending on the setting of the PAU control, and depending on the choice of option in professional setup:

- PAU full anti-clockwise:  
 Gate opening - nothing happens if the beam is interrupted  
 Gate paused open for 15 seconds - if beam is interrupted nothing happens until the interruption is removed; 1 second after the interruption is removed the gate will close  
 Gate closing - if the beam is interrupted, then open fully, pause for 1 second, and begin to close
- PAU in all other positions:  
 Gate opening – nothing happens if the beam is interrupted  
 Gate closing - if the beam is interrupted, then open fully

**NOTE** Press RESET after adjusting the trimmer.

**photocell option setting - see Professional Setup.**

If the 'stop when interrupted, move when clear' option is enabled in Step 12 of Professional Setup, the above behaviours will be modified accordingly:

- PAU full anti-clockwise:  
 Gate opening - stop if the beam is interrupted, continue opening when the beam is clear, once open the gates will autoclose after 1 second (not 15 seconds as usual)  
 Gate paused open for 15 seconds - if beam is interrupted nothing happens until the interruption is removed; 1 second after the interruption is removed the gate will close  
 Gate closing – stop if the beam is interrupted, then open fully when the beam is clear, pause for 1 second, and begin to close
- PAU in all other positions:  
 Gate opening – stop if the beam is interrupted, continue opening when the beam is clear  
 Gate closing – stop if the beam is interrupted, then open fully when the beam is clear

## obstruction sensing trimmer (+ OBS -)

Turn this clockwise to make the gates less sensitive, that is to increase the time delay that occurs before reacting to the detection of an obstacle. Turn anti-clockwise to make the gates more sensitive to obstructions.

- Full clockwise: maximum time delay of 2.5 seconds before reversing (less sensitive)
- Full anti-clockwise: minimum time delay of 0.1 seconds before reversing (more sensitive)
- Other positions: adjust for delay times of between 0.1 and 2.5 seconds

**NOTE** If an obstruction is detected when opening, the M2 leaf will always close fully before the M1 leaf.

## motor leaf delay trimmer (+ DEL -)

**NOTE** Press RESET after adjusting the trimmer.

Turn this clockwise to increase the time delay that occurs between the start of movement of the M1 leaf and the start of movement of the M2 leaf. This is essential when using gate tabs or overlapping leaves. To prevent clashing of the gate leaves, increase the motor leaf delay.

- Full clockwise: maximum time delay of 30 seconds between M1 and M2 moving
- Full anti-clockwise: minimum time delay of 3 seconds
- Other positions: adjust for delay times of between 3 and 30 seconds

## enable lock strike delay jumper (STRIKE)

If the ELU module is connected, along with an electric lock, then this jumper may be required. When the STRIKE jumper is connected across its two pins, then an open command to a fully closed gate will be delayed by 1 second to allow time for a solenoid lock to release.

## enable testing of safety devices jumper (TEST)

Connecting the TEST jumper across its two pins will cause the controller to verify the operation of the photocell and / or safety edge before every operation. This test switches off the power to the safety device and verifies that the device's output changes state. Therefore the safety device must be capable of being tested in this way. A 200 ms delay is created before every movement. The TEST jumper must be removed if safety devices are not fitted.

# Professional setup

Professional setup is a semi-automated procedure, similar to Easy Setup, but with the following differences:

- Initiate by pressing P2/RADIO instead of P1/SET
- The installer must intervene to manually operate the gates
- The installer may set a desired slow-down position, if not there will be no slow-down
- The installer must intervene to manually close the gates
- The installer may change the behaviour in response to photocells
- If pedestrian opening is required, then the installer must set it, otherwise pedestrian opening time is zero

**NOTE** This procedure sets the gate leaf travel times based on the detection of the limits of travel. Gate stops or limit switches must be used. Gate stops must be positioned such that the gates rest firmly against them at each limit of travel.

**CAUTION** During this procedure the gates must be attended. Movement can be stopped at any point by pressing the RESET button. The gates must be in the midway position before starting this procedure.

To initiate the procedure, press RESET, press P2/RADIO for 1 second while the yellow LED is flashing.

**NOTE** It may be more convenient to use a transmitter to control the process, than to press the P1/SET and P2/RADIO buttons on the controller board. If so, learn one button for P1 (learn the button with the CH-RADIO jumper removed), and one button for P2 (learn the button with the CH-RADIO jumper fitted).

The following steps are performed automatically:

1. Detects whether one motor or two is fitted
2. Checks for presence of photocells (or a jumper) on PHO terminal; e-stop (or a jumper) on STP terminal
3. Begins to open the M1 leaf, with a force set by the FOR trimmer.  
**NOTE** If the M2 leaf moves first, or if the leaf begins to close first, press RESET to stop the movement and then reverse the motor wiring accordingly. Start this setup procedure again.
4. Begins to open M2 leaf 1 second after the M1 leaf.
5. After 3 seconds of opening, gates stop moving.
6. Closes the M2 leaf fully, closes the M1 leaf fully, stopping hard against the closed stops (if fitted) or stopping using a limit switch.

The following steps must be performed by the installer:

7. Press P1/SET to begin opening the M1 and M2 leaves
8. Press P1/SET at the time where M1 slow down to 1/3 speed is required
9. Press P2/RADIO at the time where M2 slow down to 1/3 speed is required
10. The M1 and M2 leaves will continue to open fully, stopping hard against the open stops (if fitted) or stopping using a limit switch.

The following steps alter the response to interruptions of any photocells. Step 11 makes

no change, Step 12 selects the 'stop when interrupted, move when clear' option:

11. Only press P1/SET to close the gates if:
  - a. photocell is obstructed when closing then reverse immediately, and;
  - b. photocell is obstructed when opening do nothing
12. Only press P2/RADIO to close the gates if:
  - a. photocell is obstructed when closing then stop and only reverse when obstruction is removed, and;
  - b. photocell is obstructed when opening then stop and continue opening when obstruction is removed
13. The two leaves will close fully, slowing down at the time previously chosen

The following steps are for pedestrian access only:

14. Only press P1/SET if Pedestrian Access is required. The M1 leaf will begin opening.

Press P1/SET at the time where the Pedestrian Access wing is at the desired open position. The leaf will close fully and the unit will exit Professional Setup.

15. If Pedestrian Access is not required, press P1/SET and P2/RADIO simultaneously

**NOTE** The professional setup procedure will time out after four minutes if abandoned.

## Testing the gate operation

Test the operation of all controls and safety devices.

Allow for the effect of weather. Wind or water will make the gates more difficult to move. If the sensitivity is set to react to extremely light obstructions then the gates may fail to open or close fully. After adjustment, check that the force on an obstruction at the far end of the gate leaf does not exceed 150N (15 kg). Use a spring balance.

# Troubleshooting

## **Gate will not open or close**

The gate should operate smoothly, opening and closing without sticking or requiring undue force. Release the gate from the opener and check that it is possible to move the gate freely by hand through the full range of the opening.

May be a power failure. Plug another appliance into the power point to check. Opener may require service. If solar powered, the battery may not be fully recharging.

SOLUTION: Operate the gate manually. Phone an installer for service.

## **Gate will open but not close**

If photocells are fitted then they may be obstructed or misaligned. The gate mechanism may have broken, presenting an abnormal load, causing the safety system to activate.

SOLUTION: Look for anything blocking the photocell beam. Is it aligned correctly? Release the manual release and check the gate can be operated easily by hand. Have your gate repaired or serviced if it is heavy to move by hand.

## **Transmitter range is less than normal**

Your transmitter battery may be going flat. If you have an external antenna then the wire may be damaged.

SOLUTION: Replace the transmitter battery. Phone for service if the antenna wire is damaged

## **Transmitter doesn't work some times**

There may be occasional radio interference in your area. Your transmitter battery may be going flat.

SOLUTION: Check for nearby baby monitors, remote control toys, cordless phones. Replace the transmitter battery.

## **Radio interference**

Gate remote controls are required to operate in shared radio frequency bands. Regulations permit other users to continuously operate higher powered devices such as baby monitors or wireless headphones in these shared bands. These devices may cause radio interference that reduces the performance of the remote control. Switch off interfering devices if possible. Remote controls and receivers that operate on alternative frequencies are available at additional cost.

## **Transmitter doesn't work at all**

Your transmitter battery may be flat.

SOLUTION: Replace the transmitter battery.

# Specifications

Model number	G815D
Supply required	230-240V ac, 50Hz
Extra Low Voltage supply	(optional) 4 A per motor at 12 V dc
Battery backup	(optional) 12 V, 1.2 Ah
Rated load	max 150 N (approx. 15 kg force) at right angles to the gate, at the gate bracket
Rated duty cycle	max 80%
Stand-by power consumption	max 0.5 W (with no accessories fitted)
Operating power consumption	max 40 W per motor
Gate length	max 2 m
Gate weight	max 140 kg
Operating time	typ 18 - 20 seconds (increases with load)
Opening angle	max 110 degrees
Replacement board fuse	2 A (5 x 20)
Replacement motor fuse	10 A (5 x 20)
Remote control battery	Depends on model, either 4LR44 (6V) or CR2025 (3V)
Gate stops	optional but recommended
Gate solenoid lock	optional but recommended (ELU card and separate 12 V dc power supply is required to control and power a solenoid lock)
Accessory output	12 V dc, max 150 mA total (fused)
Operating temperature range	-20 to +55 °C
Receiver	Integrated 433 MHz high-security code-hopping
No. of Users	40 transmitters max
Memory	EEPROM, access via GT/SYSTEM
Compatible transmitters	All Merlin 433 MHz keyring or wall mounted transmitters, wireless wall-switches, wireless keypad

**NOTE** Any additions or alterations outside of these specifications may void the product's warranty.



# Warranty

## Limited warranty

Merlin Garage Openers Limited warrants to the original purchaser ("the Buyer") that the controller ("the Unit") sold under this warranty will be free from defects in materials and workmanship for a period of 24 months from date of purchase. Accordingly if the Unit fails due to defects in materials or workmanship within the warranty period Merlin Garage Openers Limited will, provided the defective part or Unit is returned freight and insurance prepaid and well packaged to the nearest address listed in this manual, undertake to repair or, at its option replace, any defective part or Unit and return it to the Buyer at no cost. Repairs and replacement parts are warranted for the remaining portion of the original warranty period.

## Limitations

It expressly excludes any batteries and malfunctions or defects to the Unit or its operation due to any of the following:

- A Failure to observe installation, adjustment, maintenance or operating instructions provided with the Unit;
- B Incorrect installation, operation or adjustment of products to which the Unit is fitted;
- C Connection to any load outside the specifications set out in the owner's manual;
- D Any modification or repair to the Unit carried by a person not authorised to do so by Merlin Garage Openers Limited;
- E Radio or any other electrical or electronic interference;
- F Faulty or unsuitable electrical wiring of the building to which the Unit is attached;
- G Faulty or flat batteries in the remote control transmitter;
- H Where the defect is due to: conditions other than normal domestic use or dirt, misuse, neglect, fire, accident, electrical storm or other act of God.

This warranty is void if the labelling has been altered, defaced or moved. The liability of the Distributor for any loss or damage or injury arising directly or indirectly from any defect in the goods supplied is limited to the replacement or repair of such goods or to damages not exceeding the invoice value of such goods at the option of Merlin Garage Openers Limited.

## Future Modifications

Merlin Garage Openers Limited may modify any existing or future model of the Unit without the obligation to incorporate these modifications into Units already manufactured or into the Unit to which this warranty applies.

## General

This warranty is the only Warranty made by Merlin Garage Openers Limited. All other warranties, representations and conditions of any kind, express or implied, are hereby excluded. This warranty does not deprive the Buyer of any rights conferred upon them by any applicable law or statute in their country of purchase. Proof of date of purchase may be required when making a claim under warranty. In the event that the Buyer is unable to provide adequate proof of purchase the date of warranty will apply from date of shipment from the Distributor to the Reseller.

**NOTE** Merlin requests that you attach your sales docket or invoice to this manual to enable you to establish the date of purchase in the unlikely event of service being required.

# Service Centres

If an Authorised Installer installed your unit then call them for prompt on-site service. See your yellow pages or phone Merlin toll free.

## **New Zealand**

Auckland phone 09 415 4393

Phone toll free 0800 653 667 or 0800 MERLIN

Fax toll free 0800 653 663

## **Australia**

NSW, Vic, Qld, WA

Phone toll free 1 800 638 234

Fax: toll free 1 800 640 243

## **United Kingdom**

Phone toll free in the UK 0800 073 0112

Tel: +44 1709 514 533

Fax: +44 1709 514 534

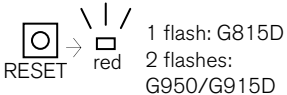
**[www.merlingo.com](http://www.merlingo.com)**



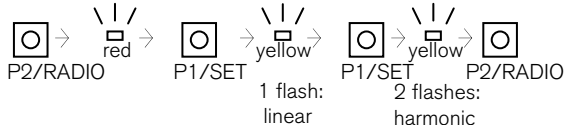
# Quick setup guide

**WARNING** Read the manual! Follow all installation and safety instructions in the manual.

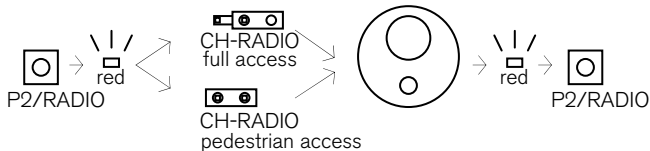
## Check Application Mode



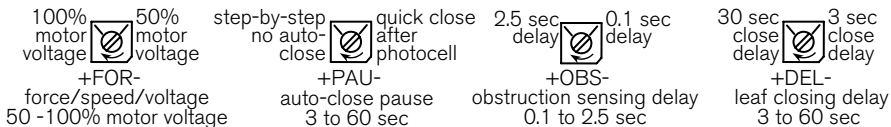
## Set Application Mode



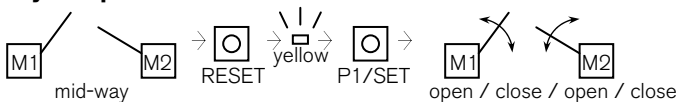
## Learn remote controls



## Adjust trimmers and set jumpers



## Easy setup



## Professional setup

